

Service Trolleys 16GN1/1 Container Trolley+ Top

ITEM # _____

MODEL # _____

NAME # _____

SIS # _____

AIA # _____



361255 (SCBT161)

16 1/1 GN container trolley
with top, 75 mm pitch

Short Form Specification

Item No. _____

Constructed in 304 AISI stainless steel. Framework in square 25x25mm tubing, completely welded. Fitted with worktop. The C-shaped "non-tip" runners, with upturn at each end, can accommodate GN containers 1/1, 1/2 and 1/3. Containers are positioned in two rows (8+8 1/1GN). N. 4 swivelling castors, two with brakes, mm125 in diameter, fitted with plastic bumpers.

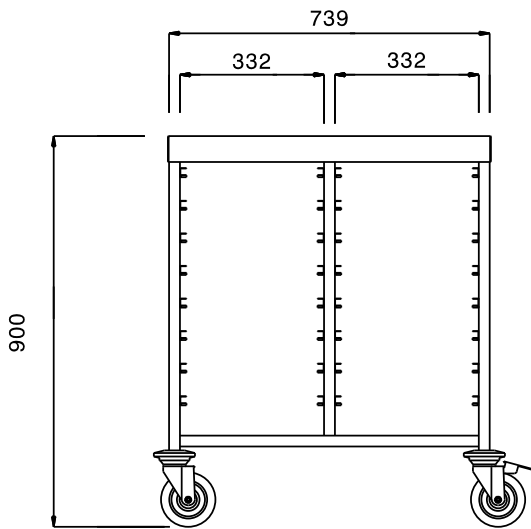
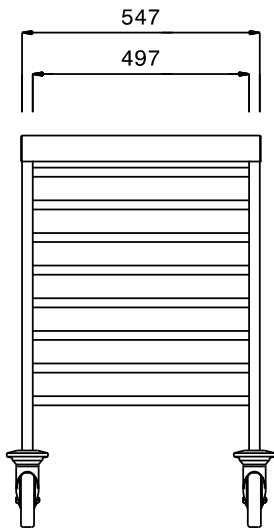
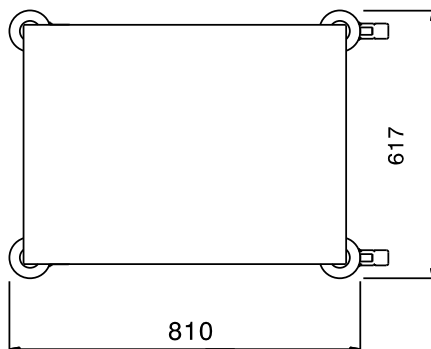
Main Features

- Framework in square 25x25 mm tubing, completely welded.
- Equipped with C-shaped "non-tip" runners, with upturn at each end.
- Accommodates 1/1 GN containers.
- 4 pivoting Ø 125 mm wheels, 2 of which with brakes, fitted with plastic bumpers
- Fitted with worktop.

Construction

- Constructed entirely in 304 AISI stainless steel.

APPROVAL: _____

Front**Side****Top****Key Information:**

External dimensions, Width:	
361255 (SCBT161)	617 mm
External dimensions, Depth:	810 mm
External dimensions, Height:	900 mm
Net weight:	26 kg